

# Cable carriers made of steel

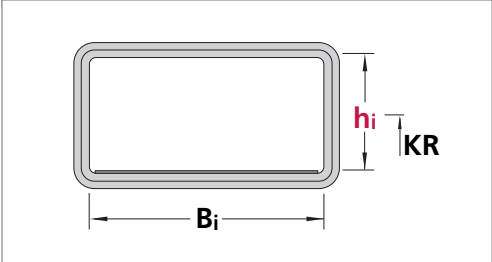
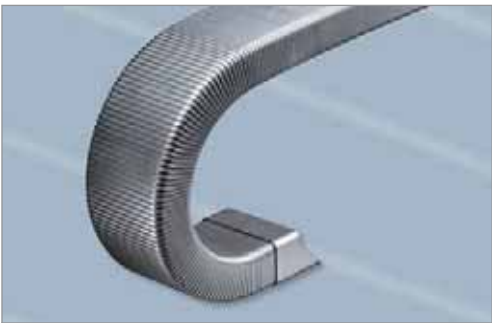
## **MOBIFLEX**



# MOBIFLEX – Tubes



- Flexible metal helical tubes combined with special steel band
- Unsupported thanks to the inserted, pre-tensioned steel band
- Ideal in case of hot metal chips



## Types MF 030, MF 050, MF 080, MF 110, MF 170

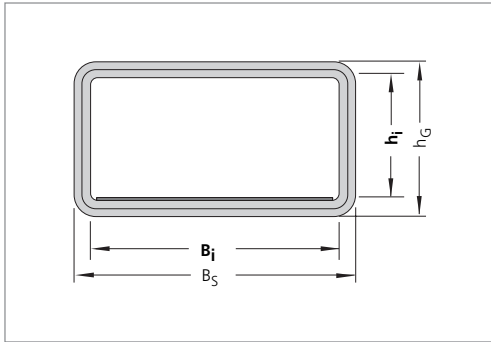
Enclosed cable carrier

Dimensions in mm

Type	$h_i$	$B_i$	Maximum travel length in m	Dynamics of unsupported arrangement		Page
				Travel speed $v_{max}$ in m/s	Travel acceleration $a_{max}$ in $m/s^2$	
MF 030.1	24	26	2.0	10	20	207
MF 050.1	24	45	3.0	10	20	207
MF 050.2	44	45	3.0	10	20	207
MF 080.1	40	80	3.5	10	18	207
MF 080.2	54	80	3.5	10	18	207
MF 080.3	78	80	3.5	10	18	207
MF 110.1	53	109	4.0	6	15	207
MF 110.2	73	109	4.0	6	15	207
MF 110.3	108	109	4.0	6	15	207
MF 170.1	72	170	5.0	6	12	207
MF 170.2	102	170	5.0	6	12	207
MF 170.3	167	170	5.0	6	12	207

# MOBIFLEX – Types CF 030, 050, 080, 110, 170

## Dimensions and intrinsic weight



Type	$h_i$ mm	$h_G$ mm	$B_i$ mm	$B_s$ mm	Intrinsic weight kg/m
MF 030.1	24	30	26	30	1.2
MF 050.1	24	30	45	50	2.0
MF 050.2	44	50	45	50	2.5
MF 080.1	40	45	80	85	3.0
MF 080.2	54	60	80	85	3.5
MF 080.3	78	85	80	85	5.1
MF 110.1	53	60	109	115	4.8
MF 110.2	73	80	109	115	5.3
MF 110.3	108	115	109	115	6.6
MF 170.1	72	80	170	175	7.2
MF 170.2	102	110	170	175	8.2
MF 170.3	167	175	170	175	9.2

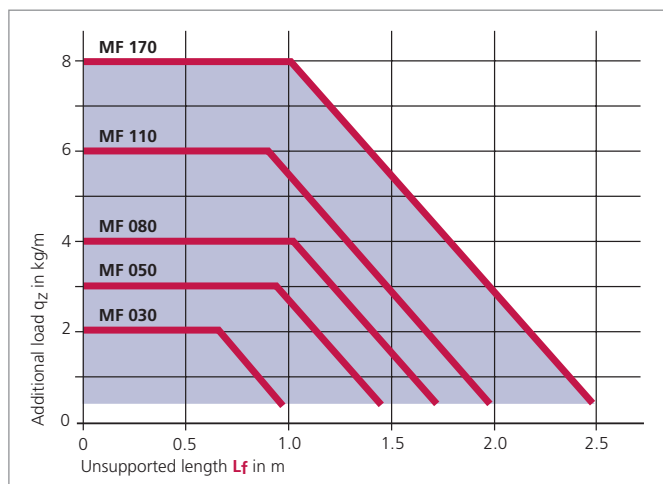
## Bend radius

Dimensions in mm

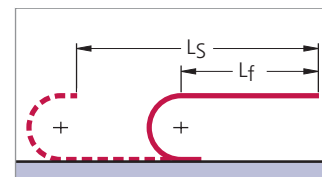
Type	Bend radii KR			
MF 030.1	80	–	–	–
MF 050.1	75	100	150	–
MF 050.2	110	150	200	–
MF 080.1	100	150	200	–
MF 080.2	150	200	250	–
MF 080.3	200	–	–	–
MF 110.1	150	200	250	–
MF 110.2	200	250	350	–
MF 110.3	300	–	–	–
MF 170.1	190	250	300	350
MF 170.2	250	300	400	–
MF 170.3	365	–	–	–

## Load diagram

for unsupported length  $L_f$  depending on the additional load



Unsupported length  $L_f$

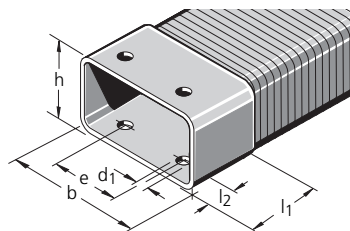


# MOBIFLEX – Types CF 030, 050, 080, 110, 170

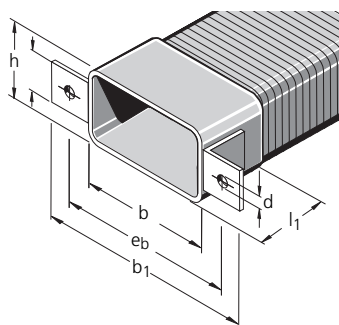
## Connection dimensions

Standard, cross flange and high flange brackets made of steel

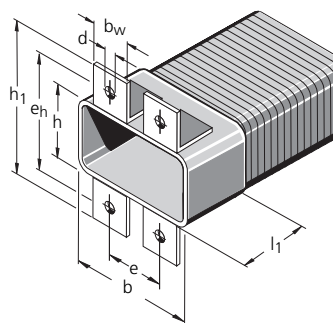
Standard connector ST



Cross flange connector QF



High flange connector HF



Dimensions in mm

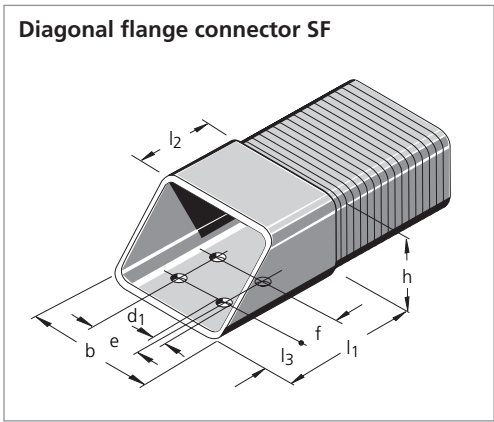
Type	b	h	e	e <sub>b</sub>	e <sub>h</sub>	d	l <sub>1</sub>	l <sub>2</sub>	b <sub>w</sub>	b <sub>1</sub>	h <sub>1</sub>
MF 030.1	34	34	–	56	56	9	60	20	20	74	74
MF 050.1	54	34	20	76	56	9	60	20	20	94	74
MF 050.2	54	54	20	76	76	9	60	20	20	94	94
MF 080.1	89	49	50	111	71	9	75	20	20	129	89
MF 080.2	89	64	50	111	86	9	75	20	20	129	104
MF 080.3	89	89	50	111	111	9	75	20	20	129	129
MF 110.1	119	64	80	141	86	9	95	20	20	159	104
MF 110.2	119	84	80	141	106	9	95	20	20	159	124
MF 110.3	119	119	80	141	141	9	95	20	20	159	159
MF 170.1	179	84	140	201	106	9	95	20	20	219	124
MF 170.2	179	114	140	201	136	9	95	20	20	219	154
MF 170.3	179	179	140	201	201	9	95	20	20	219	219

Front flange connectors can be supplied in accordance with customer drawings!

# MOBIFLEX – Types CF 030, 050, 080, 110, 170

## Connection dimensions

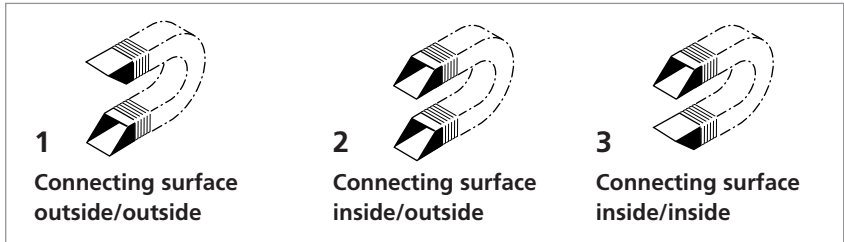
### Diagonal flange connector bracket made of steel



Dimensions in mm

Type	b	h	e	f	d	l <sub>1</sub>	l <sub>2</sub>	l <sub>3</sub>
MF 030.1	34	34	–	40	9	120	60	10
MF 050.1	54	34	20	40	9	120	60	10
MF 050.2	54	54	20	40	9	120	60	10
MF 080.1	90	50	50	40	9	120	60	10
MF 080.2	90	65	50	40	9	120	60	10
MF 080.3	90	90	50	40	9	120	60	10
MF 110.1	120	65	80	40	9	120	60	10
MF 110.2	120	85	80	40	9	120	60	10
MF 110.3	120	120	80	40	9	120	60	10
MF 170.1	180	85	140	40	9	120	60	10
MF 170.2	180	115	140	40	9	120	60	10
MF 170.3	180	180	140	40	9	120	60	10

## Connection variants for diagonal flange connectors



The connectors SF, ST, QF and HF can be combined. Please specify the desired connection type when placing your order.

**Example:**

Driver SF : Diagonal flange connector bracket with the connecting surface outside

Fixed point QF: Cross flange connector